

Valves for Pulp & Paper

VALVTECHNOLOGIES



PULP & PAPER



High Pressure
Steam Isolation Valve



Low Pressure
Condensate Drain Valve



Electronic Relief Valve



Low Pressure
Steam Valve

At Valvtechnologies, we engineer our products to meet your needs.

Valvtechnologies is the world's leading manufacturer of metal-seated ball valves. The approach to solving our customers' valve problems is simple. We combine next-generation metallurgy with state-of-the-art design and manufacturing. This approach gives us the ability to analyze our customers' process and create a solution that is guaranteed to provide zero-leakage isolation.

The specialized needs of the Pulp and Paper industries are a major focus at Valvtechnologies.

Valvtechnologies provides a range of products that offer unique solutions to isolation and control applications in Pulp & Paper. We provide a four-year Zero Leakage guarantee on vent and drain valves for the power and recovery boilers. The Valvtechnologies Electronic Relief Valve (ERV) provides overpressure protection in steam systems throughout the mill. Our patented Ceramet and Rocket Applied Metallic (RAM™) coatings give unmatched wear and corrosion resistance. This technology significantly increases valve reliability in areas such as Pulping and Liquor Recovery.



RAM™ Coating Process



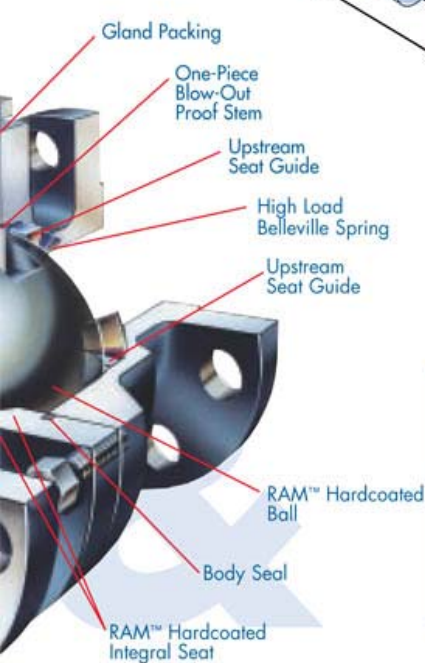
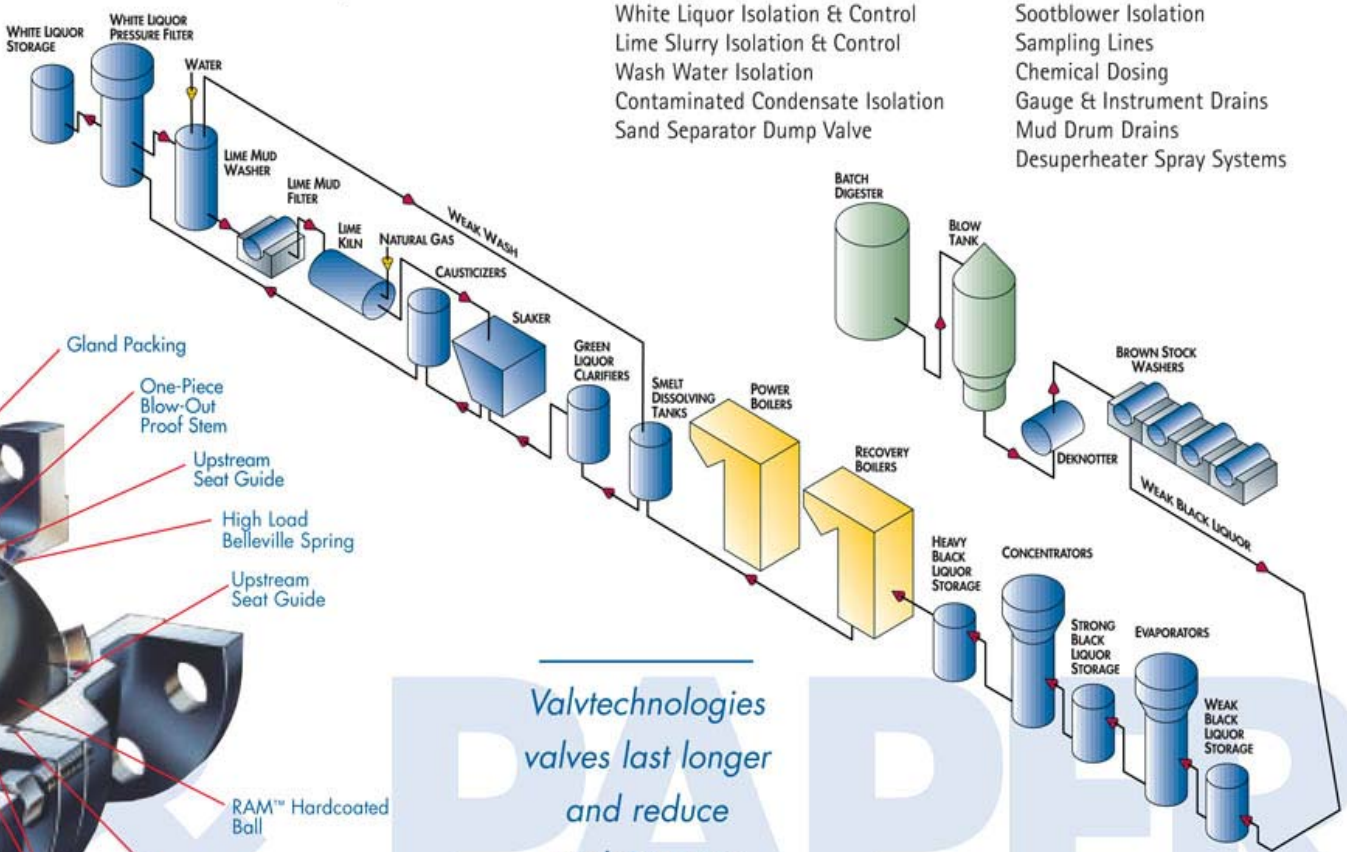
PULP

VALVE APPLICATIONS BY MILL LOCATION

- **Pulping**
- Digester Steam Control
- Digester Gas-Off
- Screen Blowback
- White Liquor
- Black Liquor

- **Kraft Recovery & Causticizing**
- Steam Isolation & Control
- Weak & Strong Black Liquor
- Knottor Screen Backwash
- Green Liquor Isolation & Control
- White Liquor Isolation & Control
- Lime Slurry Isolation & Control
- Wash Water Isolation
- Contaminated Condensate Isolation
- Sand Separator Dump Valve

- **Power & Recovery Boilers**
- Electronic Relief Valves
- Rapidrain™ Emergency Drain Valves
- Feedwater Control
- Boiler Vents and Drains
- Continuous & Intermittent Blowdown
- Sootblower Isolation
- Sampling Lines
- Chemical Dosing
- Gauge & Instrument Drains
- Mud Drum Drains
- Desuperheater Spray Systems



*Valvtechnologies
valves last longer
and reduce
maintenance
costs*



OUR CUSTOMERS

International Paper
 Mead Paper
 Westvaco
 Weyerhaeuser
 Georgia-Pacific Corporation
 Boise Cascade
 Willamette Industries
 Inland Paper
 Smurfit Stone Container
 Stora Enso
 Appleton Papers
 CanFor PG Pulp
 CanFor Northwood
 Abitibi-Consolidated, Inc.
 Cariboo Pulp
 Eurocan

Represented by:



5904 Bingle Road • Houston, Texas 77092
 Telephone: (713) 860-0400 • Facsimile: (713) 860-0499
 E-mail: sales@valv.com
 Internet: www.valv.com

SPECIFICATIONS

A105 (A216 WCB)

Temp. F°	Working Pressure in psig by Classes						
	150	300	600	900	1500	2500	4500
100	285	740	1480	2220	3705	6170	11110
200	260	675	1350	2025	3375	5625	10120
300	230	655	1315	1970	3280	5470	9845
400	200	635	1270	1900	3170	5280	9505
500	170	600	1200	1795	2995	4990	8980
600	140	550	1095	1640	2735	4560	8210
650	125	535	1075	1610	2685	4475	8055
700	110	535	1065	1600	2665	4440	7990
750	95	505	1010	1510	2520	4200	7560
800	80	410	825	1235	2060	3430	6170
850	65	270	535	805	1340	2230	4010
900	50	170	345	515	860	1430	2570
950	35	105	205	310	515	860	1545
1000	20	50	105	155	260	430	770

A182-F316 (A351-CF8M and CF3M)

Temp. F°	Working Pressure in psig by Classes						
	150	300	600	900	1500	2500	4500
100	275	720	1440	2160	3600	6000	10800
200	235	620	1240	1860	3095	5160	9290
300	215	560	1120	1680	2795	4660	8390
400	195	515	1025	1540	2570	4280	7705
500	170	480	955	1435	2390	3980	7165
600	140	450	900	1355	2255	3760	6770
650	125	445	890	1330	2220	3700	6660
700	110	430	870	1305	2170	3620	6515
750	95	425	855	1280	2135	3560	6410
800	80	420	845	1265	2110	3520	6335
850	65	420	835	1255	2090	3480	6265
900	50	415	830	1245	2075	3460	6230
950	35	385	775	1160	1930	3220	5795
1000	20	350	700	1050	1750	2915	5245
1050	20(1)	345	685	1030	1720	2865	5155
1100	20(1)	305	610	915	1525	2545	4575
1150	20(1)	235	475	710	1185	1970	3550
1200	20(1)	185	370	555	925	1545	2775
1250	20(1)	145	295	440	735	1230	2210
1300	20(1)	115	235	350	585	970	1750
1350	20(1)	95	190	290	480	800	1440
1400	20(1)	75	150	225	380	630	1130
1450	20(1)	60	115	175	290	485	875
1500	20(1)	40	85	125	205	345	620

Note: (1) For welding end valves only. Flanged end ratings terminate at 1,000 F°

A182-F22 (A217 WC9)

Temp. F°	Working Pressure in psig by Classes						
	150	300	600	900	1500	2500	4500
100	290	750	1500	2250	3750	6250	11250
200	260	750	1500	2250	3750	6250	11250
300	230	730	1455	2185	3640	6070	10925
400	200	705	1410	2115	3530	5880	10585
500	170	665	1330	1995	3325	5540	9965
600	140	605	1210	1815	3025	5040	9070
650	125	590	1175	1765	2940	4905	8825
700	110	570	1135	1705	2840	4730	8815
750	95	530	1065	1595	2660	4430	7970
800	80	510	1015	1525	2540	4230	7610
850	65	485	975	1460	2435	4060	7305
900	50	450	900	1350	2245	3745	6740
950	35	375	755	1130	1885	3145	5665
1000	20	260	520	780	1305	2170	3910
1050	20(1)	175	350	525	875	1455	2625
1100	20(1)	110	220	330	550	915	1645
1150	20(1)	70	135	205	345	570	1030
1200	20(1)	40	80	125	205	345	615

Note: (1) For welding end valves only. Flanged end ratings terminate at 1,000 F°